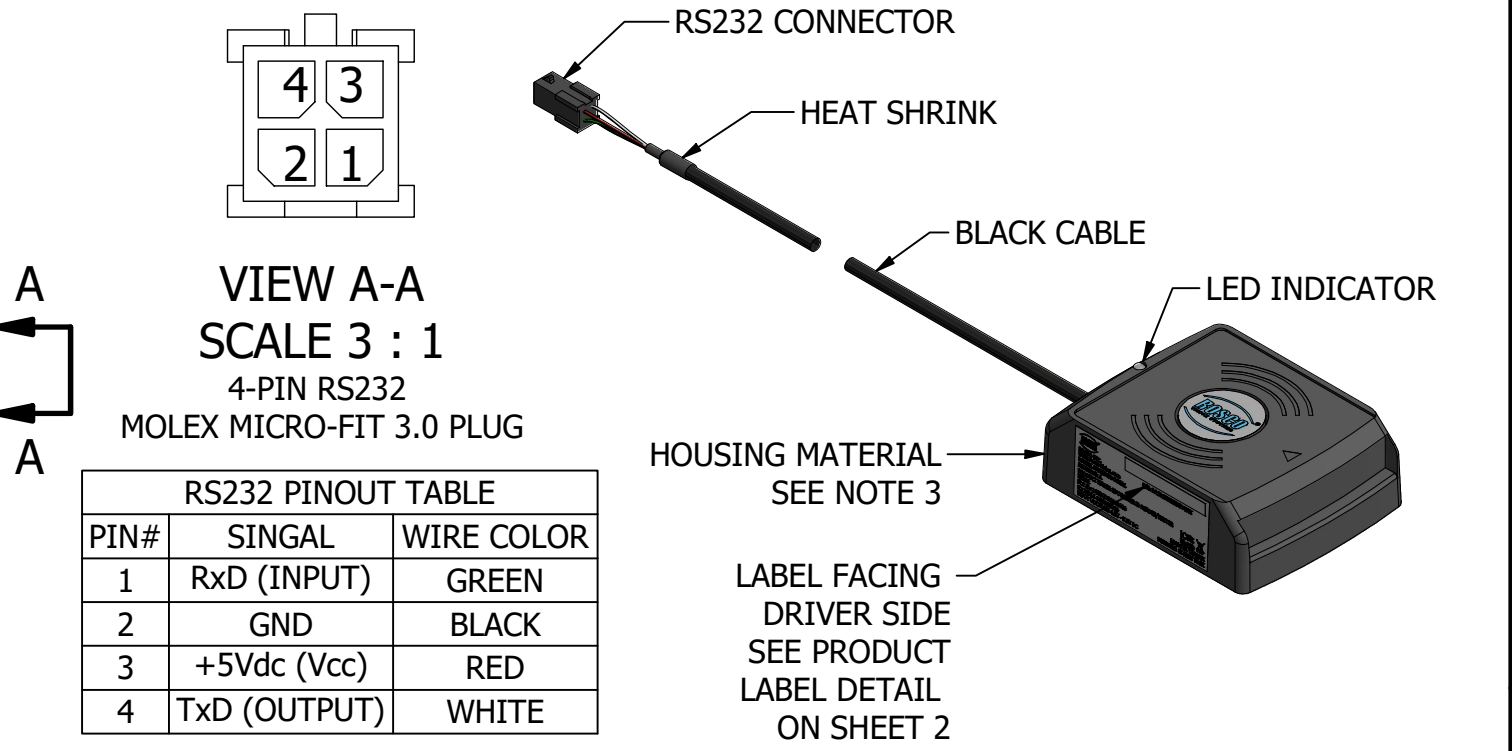
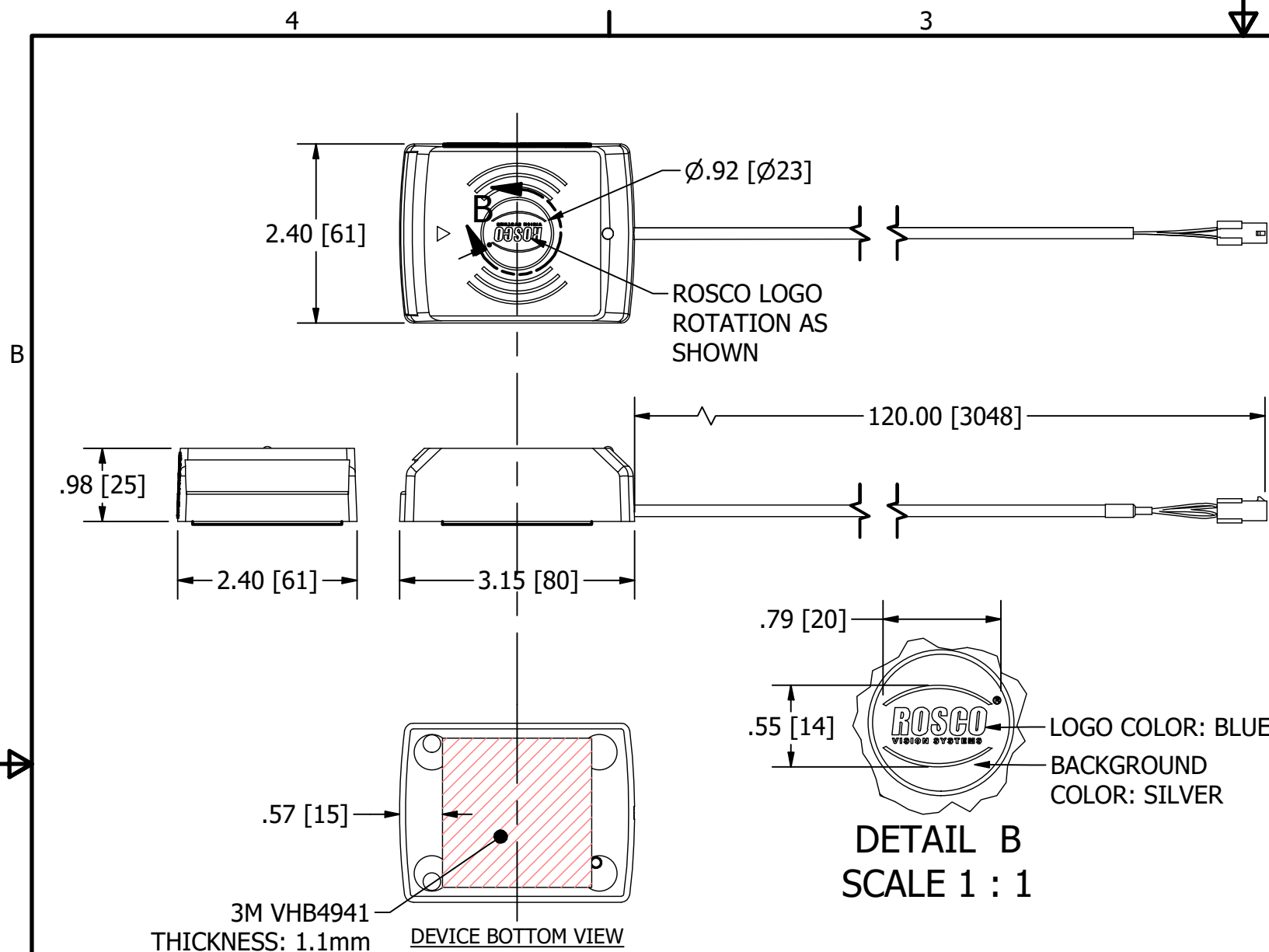
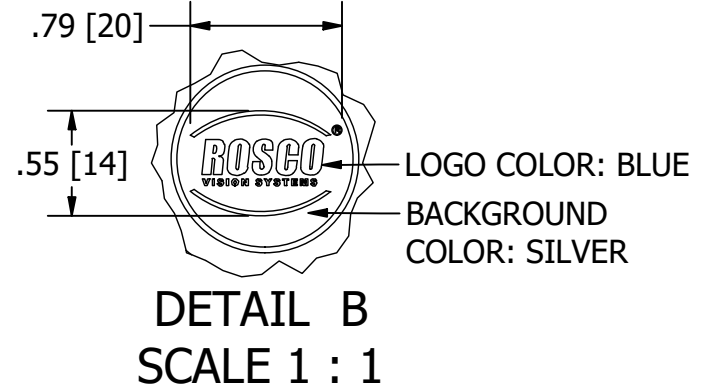


REVISION HISTORY					
ECO#	REV	DESCRIPTION	DATE	AUTHOR	APPROVED
7952	A	INITIAL RELEASE	7/21/2020	nelson.ho	john.polimeni



VIEW A-A
SCALE 3 : 1
4-PIN RS232
MOLEX MICRO-FIT 3.0 PLUG

RS232 PINOUT TABLE		
PIN#	SINGAL	WIRE COLOR
1	RxD (INPUT)	GREEN
2	GND	BLACK
3	+5Vdc (Vcc)	RED
4	TxD (OUTPUT)	WHITE



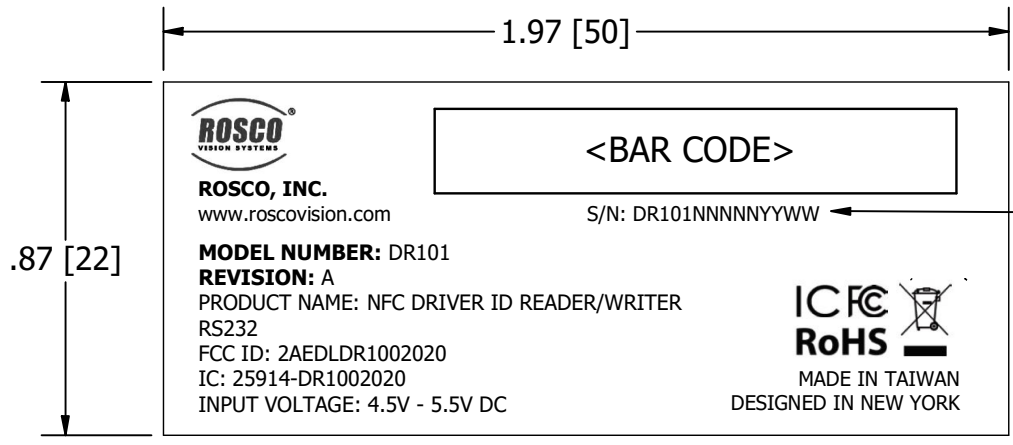
DR101 SPECIFICATIONS	
OPERATIONAL VOLTAGE	4.5 TO 5.5V
OPERATING TEMPERATURE	-20 TO 65°C
STORAGE TEMPERATURE	-30 TO 70°C
CURRENT RATING	OPERATING MODE: 92mA, SLEEP MODE: 0mA
MAX. CURRENT CONSUMPTION	.5A
READING DISTANCE	1.5in
WEIGHT	150g

- NOTES:**
- ALL DIMENSIONS IN INCHES [MILLIMETERS] UNLESS OTHERWISE SPECIFIED.
 - CABLE LENGTH TOLERANCE SHALL BE IN ACCORDANCE WITH IPC/WHMA-A-620 TABLE 11-1
 - HOUSING MATERIAL: PC + ABS

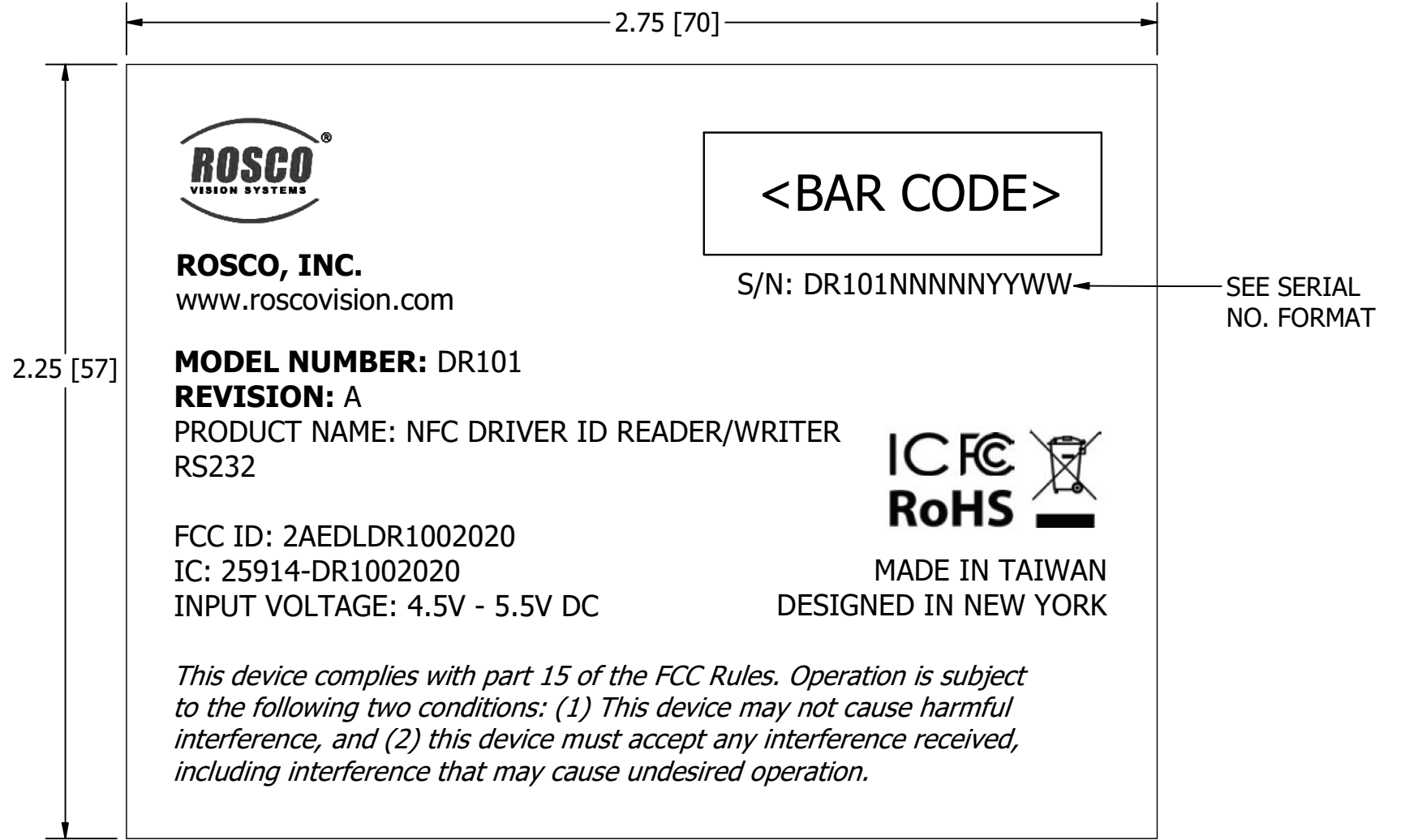
IPC/WHMA-A-620 Table 11-1			
Metric Length	Metric Tolerance	English Length	English Tolerance
≤ 0.3 m	+25 mm -0 mm	≤ 1 ft	+ 1 in - 0 in
> 0.3 m - 1.5 m	+50 mm -0 mm	> 1 ft - 5 ft	+ 2 in - 0 in
> 1.5 m - 3 m	+100 mm -0 mm	> 5 ft - 10 ft	+ 4 in - 0 in
> 3 m - 7.5 m	+150 mm -0 mm	> 10 ft - 25 ft	+ 6 in - 0 in
> 7.5 m	+5% - 0%	> 25 ft	+5% - 0%

DRAWN nelson.ho	5/7/2020	ROSCO, INC	90-21 144TH PL. JAMAICA NY 11435 (718)526-2601
CHECKED john.polimeni			
THIS DRAWING AND/OR ITS RESPECTIVE CAD FILE IS THE PROPERTY OF ROSCO, INC. AND MAY NOT BE TRACED, COPIED OR OTHERWISE USED IN ANY MANNER WITHOUT THE WRITTEN AUTHORIZATION OF ROSCO INC.		TITLE NFC DRIVER ID READER/WRIter,RS232 CONN,10FT CBL,FOR DV440	
ALL DIMENSIONS IN INCHES UNLESS OTHERWISE SPECIFIED ANGULAR TOLERANCES: ± 1.5 TOLERANCES .X: ± 0.1		SIZE B	REV A
TOLERANCES .XX ± 0 - 5.99" 0.03 6.00" - 11.99" 0.05 12.00" - 23.99" 0.06 24.00 - 47.99" 0.08 48.00" & UP 0.12		DWG NO DR101	
TOLERANCES .XXX ± 0 - 5.999" 0.005 6.000" - 11.999" 0.015 12.000" - 23.999" 0.020 24.000" - 47.999" 0.025 48.000" & UP 0.030		SHEET 1 OF 2	

PRODUCT LABEL:



BOX LABEL:



BOX LABEL PLACED ON THE FRONT SIDE OF THE BOX (SEE BOX LABEL DETAIL)



SER NO. FORMAT:
 NNNNN = 5-DIGIT SERIAL
 YY = 2-DIGIT YEAR
 WW = 2-DIGIT WEEK

DRAWN nelson.ho CHECKED john.polimeni	5/7/2020	<h1>ROSCO, INC</h1>		90-21 144TH PL. JAMAICA NY 11435 (718)526-2601
THIS DRAWING AND/OR ITS RESPECTIVE CAD FILE IS THE PROPERTY OF ROSCO, INC. AND MAY NOT BE TRACED, COPIED OR OTHERWISE USED IN ANY MANNER WITHOUT THE WRITTEN AUTHORIZATION OF ROSCO INC.		TITLE NFC DRIVER ID READER/WRITER,RS232 CONN,10FT CBL,FOR DV440		
ALL DIMENSIONS IN INCHES UNLESS OTHERWISE SPECIFIED ANGULAR TOLERANCES : ± 1.5 TOLERANCES .X : ± 0.1		SIZE B	DWG NO DR101	REV A
TOLERANCES .XX ± TOLERANCES .XXX ± 0 - 5.99" 0.03 0 - 5.999" 0.005 6.00" - 11.99" 0.05 6.000" - 11.999" 0.015 12.00" - 23.99" 0.06 12.000" - 23.999" 0.020 24.00 - 47.99" 0.08 24.000 - 47.999" 0.025 48.00" & UP 0.12 48.000" & UP 0.030		SCALE		SHEET 2 OF 2