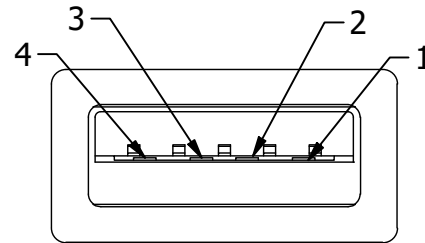
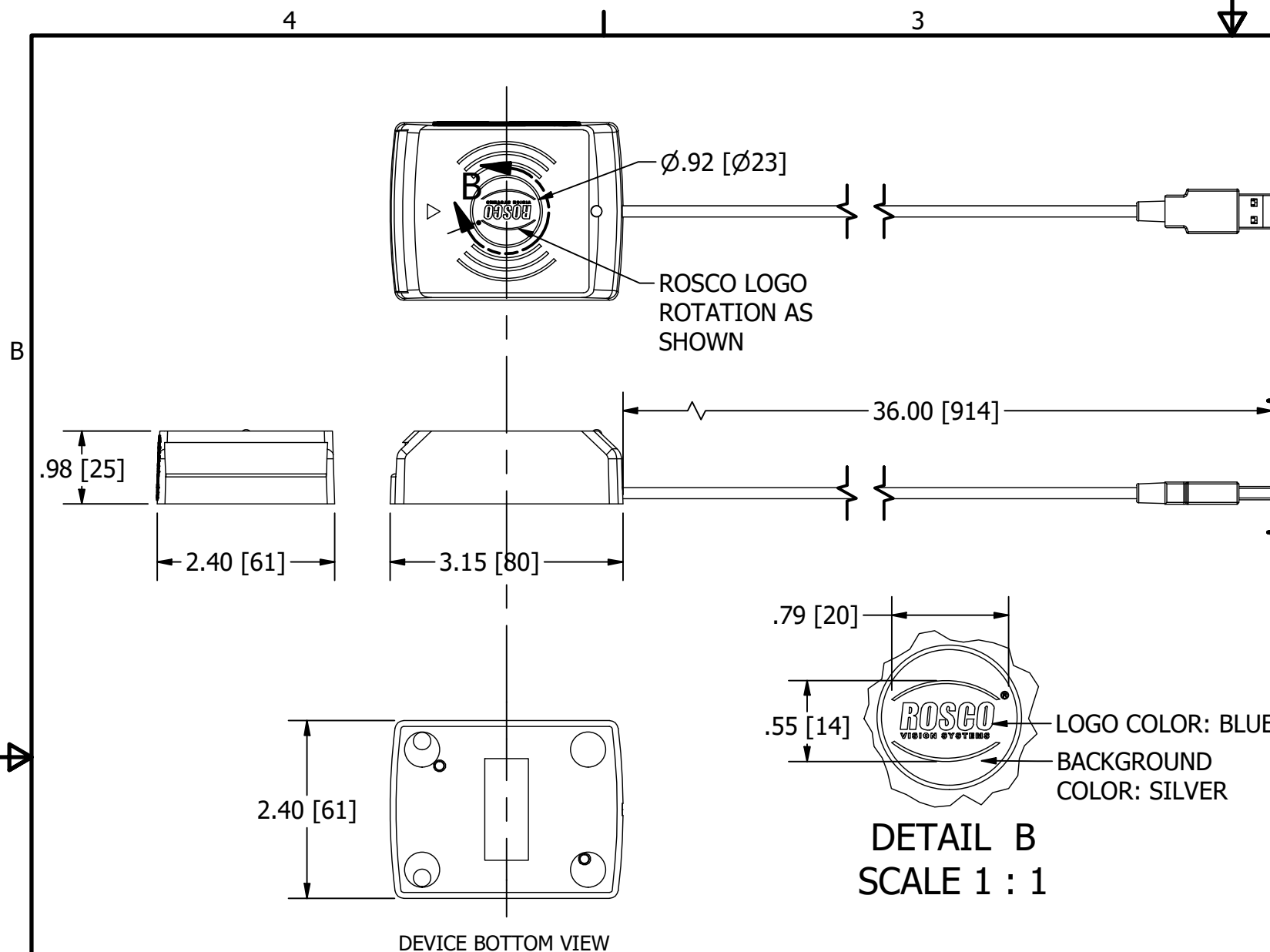
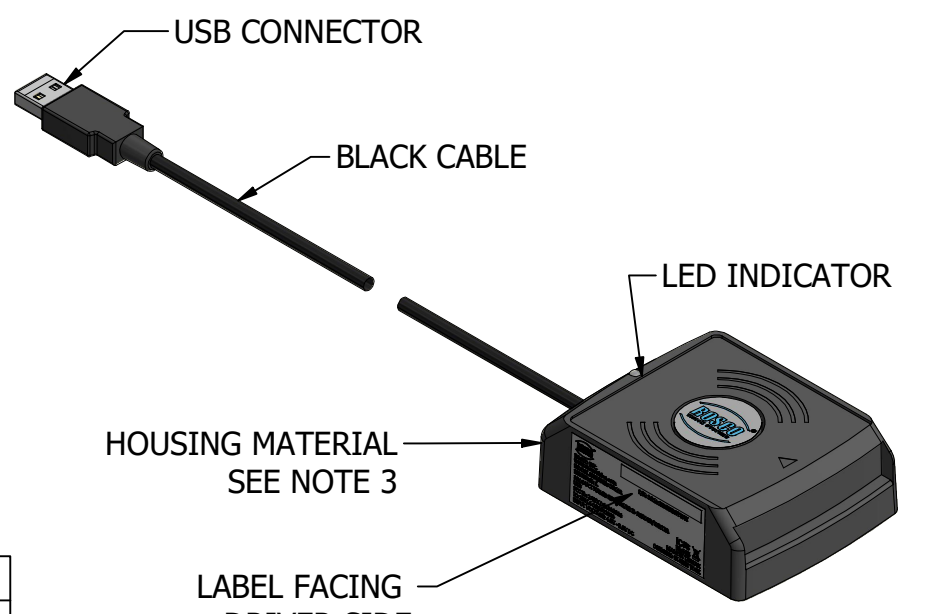


REVISION HISTORY					
ECO#	REV	DESCRIPTION	DATE	AUTHOR	APPROVED
7952	A	INITIAL RELEASE	7/16/2020	nelson.ho	john.polimeni



USB PINOUT TABLE		
PIN#	NAME	WIRE COLOR
1	VCC	RED
2	DATA -	WHITE
3	DATA +	GREEN
4	GND	BLACK



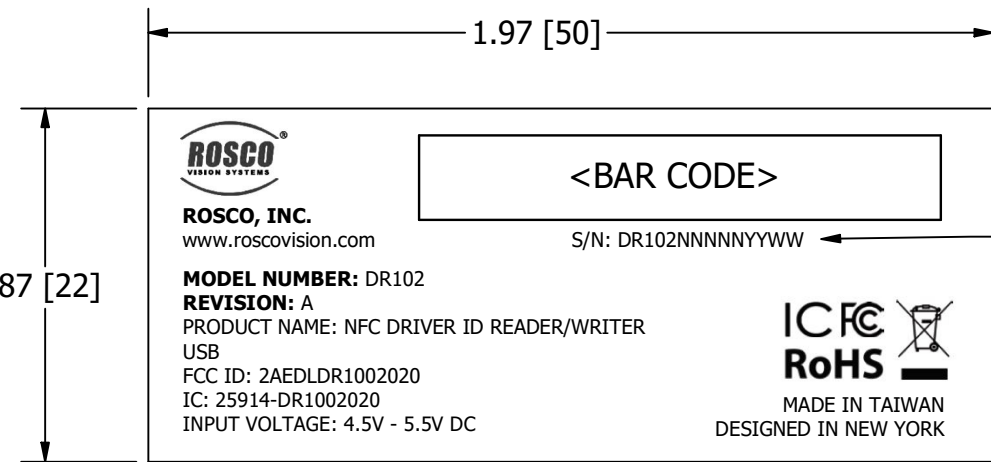
DR102 SPECIFICATIONS	
OPERATIONAL VOLTAGE	4.5 TO 5.5V
OPERATING TEMPERATURE	-20 TO 65°C
STORAGE TEMPERATURE	-30 TO 70°C
CURRENT RATING	OPERATING MODE: 92mA, SLEEP MODE: 0mA
MAX. CURRENT CONSUMPTION	.5A
READING DISTANCE	1.5in
WEIGHT	150g

- NOTES:**
- ALL DIMENSIONS IN INCHES [MILLIMETERS] UNLESS OTHERWISE SPECIFIED.
 - CABLE LENGTH TOLERANCE SHALL BE IN ACCORDANCE WITH IPC/WHMA-A-620 TABLE 11-1
 - HOUSING MATERIAL: PC + ABS

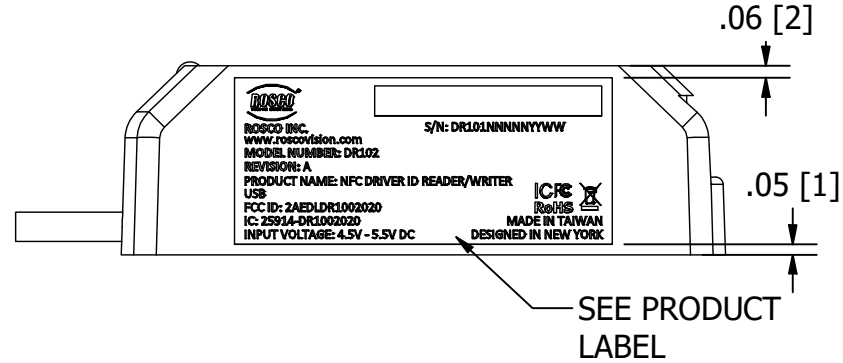
IPC/WHMA-A-620 Table 11-1			
Metric Length	Metric Tolerance	English Length	English Tolerance
≤ 0.3 m	+25 mm -0 mm	≤ 1 ft	+ 1 in - 0 in
> 0.3 m - 1.5 m	+50 mm -0 mm	> 1 ft - 5 ft	+ 2 in - 0 in
> 1.5 m - 3 m	+100 mm -0 mm	> 5 ft - 10 ft	+ 4 in - 0 in
> 3 m - 7.5 m	+150 mm -0 mm	> 10 ft - 25 ft	+ 6 in - 0 in
> 7.5 m	+5% - 0%	> 25 ft	+5% - 0%

DRAWN nelson.ho 5/7/2020 CHECKED john.polimeni	ROSCO, INC 90-21 144TH PL. JAMAICA NY 11435 (718)526-2601
TITLE NFC DRIVER ID READER/WRIER,USB CONN,3FT CBL,FOR DV440	
THIS DRAWING AND/OR ITS RESPECTIVE CAD FILE IS THE PROPERTY OF ROSCO, INC. AND MAY NOT BE TRACED, COPIED OR OTHERWISE USED IN ANY MANNER WITHOUT THE WRITTEN AUTHORIZATION OF ROSCO INC.	SIZE B
ALL DIMENSIONS IN INCHES UNLESS OTHERWISE SPECIFIED ANGULAR TOLERANCES: ± 1.5 TOLERANCES .X : ± 0.1 TOLERANCES .XX ± TOLERANCES .XXX ± 0 - 5.99" 0.03 0 - 5.999" 0.005 6.00" - 11.99" 0.05 6.000" - 11.999" 0.015 12.00" - 23.99" 0.06 12.000" - 23.999" 0.020 24.00 - 47.99" 0.08 24.000 - 47.999" 0.025 48.00" & UP 0.12 48.000" & UP 0.030	DWG NO DR102 REV A
SCALE SHEET 1 OF 2	

PRODUCT LABEL:



SEE SERIAL NO. FORMAT



BOX LABEL:



SEE SERIAL NO. FORMAT

BOX LABEL PLACED ON THE FRONT SIDE OF THE BOX (SEE BOX LABEL DETAIL)



SER NO. FORMAT:
 NNNNN = 5-DIGIT SERIAL
 YY = 2-DIGIT YEAR
 WW = 2-DIGIT WEEK

DRAWN nelson.ho	5/7/2020	ROSCO, INC		90-21 144TH PL. JAMAICA NY 11435 (718)526-2601
CHECKED john.polimeni				TITLE NFC DRIVER ID READER/WRITER,USB CONN,3FT CBL,FOR DV440
THIS DRAWING AND/OR ITS RESPECTIVE CAD FILE IS THE PROPERTY OF ROSCO, INC. AND MAY NOT BE TRACED, COPIED OR OTHERWISE USED IN ANY MANNER WITHOUT THE WRITTEN AUTHORIZATION OF ROSCO INC.		SIZE B	DWG NO DR102	REV A
ALL DIMENSIONS IN INCHES UNLESS OTHERWISE SPECIFIED ANGULAR TOLERANCES : ± 1.5 TOLERANCES .X : ± 0.1		SCALE	SHEET 2 OF 2	
TOLERANCES .XX ±	TOLERANCES .XXX ±			
0 - 5.99"	0.03			
6.00" - 11.99"	0.05			
12.00" - 23.99"	0.06			
24.00 - 47.99"	0.08			
48.00" & UP	0.12			