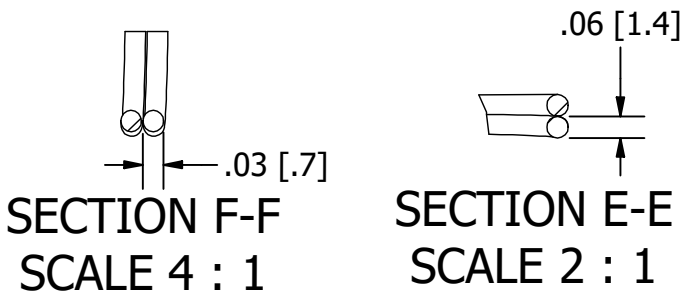
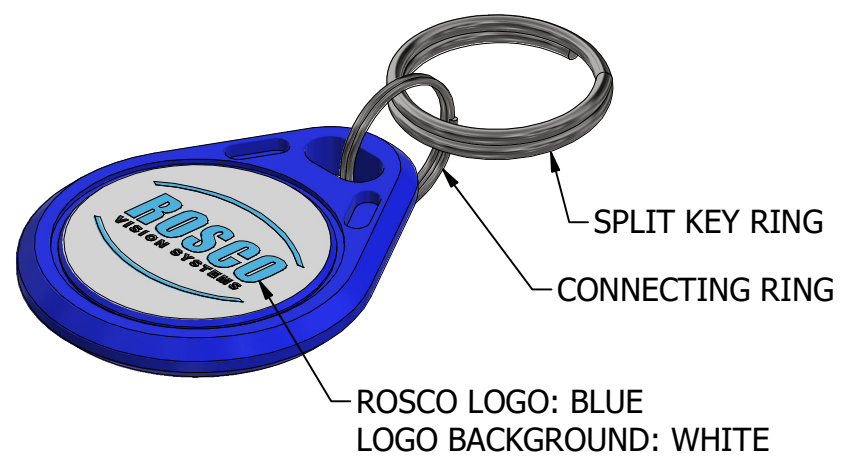
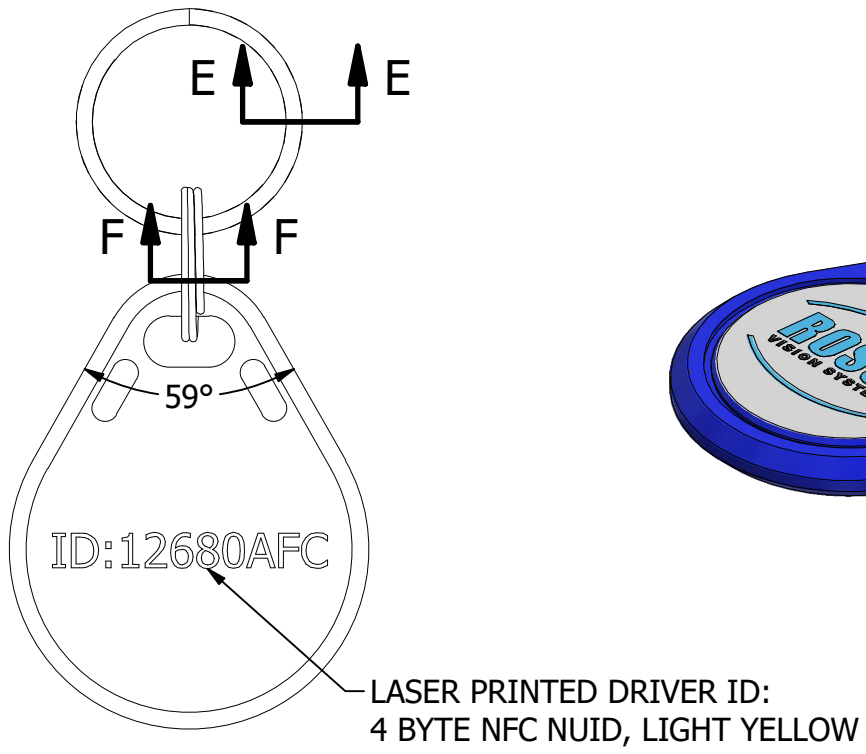
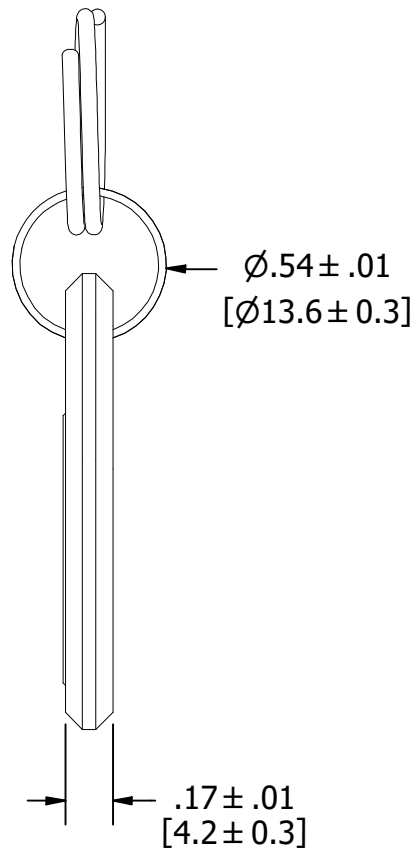
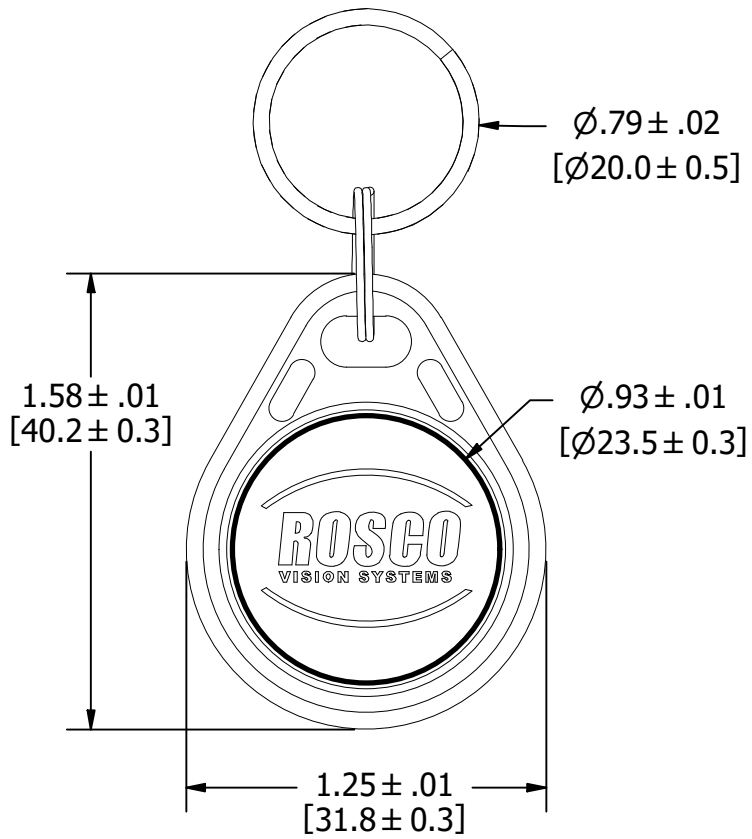


REVISION HISTORY					
ECO#	REV	DESCRIPTION	DATE	AUTHOR	APPROVED
8023	A	INITIAL RELEASE	9/17/2020	nelson.ho	john.polimeni



- NOTES:**
- ALL DIMENSIONS IN INCHES [MILLIMETERS] UNLESS OTHERWISE SPECIFIED.
  - FOB MATERIAL: ABS
  - KEY RING MATERIAL: ZINC-PLATED STEEL

DRAWN nelson.ho CHECKED john.polimeni	9/9/2020	<h1>ROSCO, INC</h1>		90-21 144TH PL. JAMAICA NY 11435 (718)526-2601
THIS DRAWING AND/OR ITS RESPECTIVE CAD FILE IS THE PROPERTY OF ROSCO, INC. AND MAY NOT BE TRACED, COPIED OR OTHERWISE USED IN ANY MANNER WITHOUT THE WRITTEN AUTHORIZATION OF ROSCO INC.		TITLE KEY FOB, DRIVER ID FOR NFC READER, DR101 & DR102		
ALL DIMENSIONS IN INCHES UNLESS OTHERWISE SPECIFIED ANGULAR TOLERANCES: ± 1.5 TOLERANCES .X: ± 0.1		SIZE <b>B</b>	DWG NO <b>DR104</b>	REV <b>A</b>
TOLERANCES .XX ±    TOLERANCES .XXX ± 0 - 5.99"    0.03    0 - 5.999"    0.005 6.00" - 11.99"    0.05    6.000" - 11.999"    0.015 12.00" - 23.99"    0.06    12.000" - 23.999"    0.020 24.00" - 47.99"    0.08    24.000" - 47.999"    0.025 48.00" & UP    0.12    48.000" & UP    0.030		SCALE		SHEET 1 OF 1